

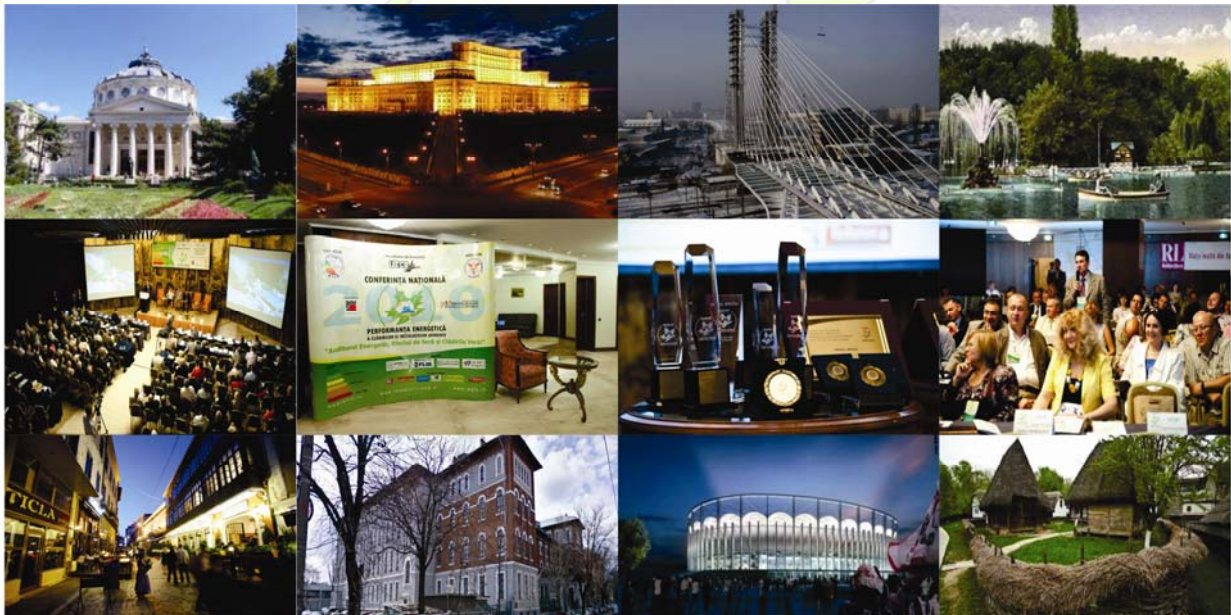


ROMANIAN CONFERENCE



Energy Performance of Buildings

RCEPB 2012, 4th Edition



Bucharest, 24-25 May 2012



DATES AND LOCATIONS

- Thursday, May 24th (9:15am to 7:00pm), Bucharest, National Library of Romania
- Friday, May 25th (9:30am to 14:00pm), Bucharest, Technical University of Civil Engineering Bucharest (TUCEB), Faculty for Building Systems Engineering

ORGANIZERS

Romanian Association for Building Services Engineers (RABSE)

Faculty for Building Systems Engineering (FBSE) - TUCEB

Romania Energy Auditors Chamber (REAC)

Energy Auditors Commission (EAC) - RABSE

OBJECTIVES

The Romanian Energy Performance of Buildings Conference (REPBC), forth edition, is a multi-disciplinary international conference having as **main topics**:

- Implementation progress of the EU Directives 2010/31/EC, 2006/32/EC and 2009/28/EC. perspectives of the new energy efficiency directive
- Policies, programs and funding sources to achieve the 20/20/20 targets
- Sustainable solutions for energy efficient buildings: passive houses, nearly zero-energy buildings and green buildings (optimal-cost method)
- Energy certification and auditing: demand versus offer, services quality, impact on the real estate market, energy auditors issues and solutions (round table with representatives from ministries and professional associations)
- Case studies of energetic sustainability of the urban development.

Energy efficiency, RES use, passive and green buildings are concepts used more and more in European Directives and national regulations. EU targets were established for the reduction of energy consumption and GHG emissions or for RES use in order to minimize the negative environmental and social impact of fossil fuels burning, to strengthen the energetic independence of MS, to reduce the energy invoices for oil and natural gases imports. Therefore papers on related topics are welcomed from all relevant disciplinary areas, ranging from new concepts and solutions, modeling, experiments, to computational simulation. The event will provide a forum for the exchange of latest technical information, for the dissemination of the Romanian and international research results, for the presentation of the new developments in the area of energy and environment and for the debate and shaping of future directions and priorities in sustainable development and energy security.

PARTICIPANTS

The conference will be of particular value and interest to Energy Auditors, Architects, Engineers, Researchers, Scientists and all practitioners interested in the relevant field of energy and environment, from policy making, technical development to management and marketing. International attendees can take the pulse of the Romanian state of the art in the field of EPB, passive houses, green constructions etc.



FORMAT

The conference will include the following events and activities:

- Keynote papers by invited speakers (May 24th);
- General contributed papers presented orally in plenary sessions (May 24th and May 25th).

PROCEEDINGS

All papers (see instructions for authors on last page) will be reviewed by the (inter)national conference technical committee. Extended abstracts of accepted papers will be published in the Proceedings of the RCEPB which will be available during the Conference and included in the registration package. The best articles will be promoted for publishing in **MATHEMATICAL MODELLING IN CIVIL ENGINEERING Journal** (indexed by ProQuest and EBSCO research databases and a CNCSIS B⁺ category).

TOPICS

The topical areas of interest include, but are not limited to:

Awareness and Regulations

- Energy conversion and management
- Energy economics
- Energy education
- Optimal cost
- Energy policy and planning
- Energy security
- Energy and sustainability

Energy and Environment

- Energy efficiency and management
- Energy and industrial ecology
- Energy and life cycle analysis
- Environmental impact and climate change
- Urban development
- Global warming
- Net zero energy building

Renewable and Clean Energy Technologies

- Biogas and biomass
- Geothermal energy
- Solar energy
- Market and finance of RES

Advanced Energy Systems

- Advanced power generation, transmission and automation
- Alternative and hybrid energy systems
- Combustion Technologies
- Energy storage techniques
- Green buildings
- Heating Ventilation and Air Conditioning
- Environmentally friendly energy technologies

IMPORTANT DATES

- | |
|---|
| • April 27 th , 2012, Extended abstract due |
| • May 4 th , 2012, Notification of abstract acceptance |
| • May 11 th , 2012, Full paper due |
| • May 18 th , 2012, Notification of paper acceptance |



- May 21st, 2012, Final submission of revised full paper

The papers will be provided on conference DVD available during the event and included in the registration package.

OFFICIAL LANGUAGES

English and Romanian (simultaneous translation will be provided).

HONORARY CHAIR

Mr. Prof. DHC Liviu DUMITRESCU, Romanian Technical Academy Member, president of the Romanian Association for Buildings Services Engineers RABSE.

CONFERENCE CHAIRS

Mr. Prof.Dr.Eng. Sorin BURCHIU, Dean of Faculty of Building Systems Engineering – TUCEB

Mrs. Prof.Dr.Eng. Iolanda COLDA, Faculty of Building Systems Engineers – TUCEB, President of Romania Energy Auditors Chamber

NATIONAL ORGANIZING COMMITTEE

Mr. Ass.Prof.Dr.Eng. Catalin LUNGU, coordinator of the organizing team, vice-president of Romanian Association for Buildings Services Engineers (RABSE)-Valahia Subsidiary.

SCIENTIFIC AND ADVISORY COMMITTEE

S. Burchiu

F. Baltaretu

C. Lungu

I. Colda

O. Cocora

C. Teodosiu

F. Iordache

A. Damian

N. Antonescu

KEYNOTE SPEAKERS

- Prof. Liviu DUMITRESCU, RABSE President
- Prof. Iolanda COLDA, REAC President
- Representative of Ministry of Regional Development and Tourism
- Representative of Ministry of Environment and Forests
- US Embassy representative
- Ioan-Silviu Dobosi, REHVA Vice-president
- Catalin-Ioan Lungu, RABSE - Valahia Subsidiary Vice-President
- Representative of Ministry of Economy, Trade and the Business Environment
- etc.



GOVERNMENTAL AND INSTITUTIONAL PARTNERS

PSC, ARACO, AGFR, AE3R, BPIE, SRT etc.

SPONSORS

See „Formular de comanda”, „Pachete de servicii” and „Contract de participare” files (available only in Romanian).

MEDIA PARTNERS

- Romania Libera, Util
- Casa mea
- casamea.ro
- business24.ro
- 9AM News
- Planul casei mele
- Ioana-Locuinta Mea
- Casa de Vacanta
- Instalatorul
- Tehnica Instalatiilor
- Matrix Rom Bucuresti

COSTS

- 200 lei for RABSE/REAC non-members or members after May 4th 2012
- 100lei for RABSE/REAC members before May 4th 2012





REGISTRATION FORM

Event: European Solutions and Policies for Sustainable Urban Development: Theory and Practice

Period: May 24th & 25th 2012

Location: National Library of Romania, 20 Unirii Bvd., District 4, Bucharest

Event Duration: 2 days

Organizers: Romanian Association for Building Services Engineers, Faculty for Building Services Engineers - TUCEB, Energy Auditors Chamber

Please complete this form using capital letters and send it to: AIIR-Valahia Subsidiary, phone/fax +004021/2524295 or email: office@aiiro.ro, clungu@instalatii.utcb.ro, until **May 4th, 2012.**

Section I: REGISTRATION DATA

First Name:	
Last Name:	
Position:	
Company/ Institution/University:	
Address:	
Phone:	
Fax:	
Email:	

Section II: INFORMATION REGARDING ACCOMMODATION

The organizers will take in charge the costs for international participants accommodation. Accommodation will be provided at a 4/5 stars hotel, in the downtown of Bucharest.

Data regarding your arrival & departure	<input type="checkbox"/>	23 May 2012 – 24 May 2012 (1 night accomodation)
	<input type="checkbox"/>	24 May 2012 – 25 May 2012 (1 night accomodation)
	<input type="checkbox"/>	23 May 2012 – 25 May 2012 (2 nights accomodation)
	<input type="checkbox"/>	23 May 2012 – 26 May 2012 (3 nights accomodation)
	<input type="checkbox"/>	If other option please fill in



DRAFT CONFERENCE PROGRAMME

Thursday, May 24th Location: National Library of Romania

08:30 – 09:15 Participants registration
09:15– 10:20 Organizers&partners welcome

Session I

10:00 – 11:30 Round table:

- Perspectives of the new energy efficiency directive
- Policies, programs and funding sources to achieve the 20/20/20 targets
- Sustainable solutions for energy efficient buildings: passive houses, nearly zero-energy buildings and green buildings (optimal-cost method)
- Energy certification and auditing: demand versus offer, services quality, impact on the real estate market, energy auditors issues and solutions (with the participation of the representatives from ministries and professional associations)

11:30 – 11:45 *Coffee break*

Session II

11:45– 13:00 Technical presentations & keynote papers

[13:00– 13:30 Press Conference]

13:30 – 14:15 *Standing buffet*

Session III

14:15 – 17:00 Technical presentations & keynote papers

17:00 – 17:15 *Coffee break*

Session IV

17:15 – 17:45 Entertainment & Raffle (with great prizes)

17:45 – 18:30 Cocktail

Friday, May 25th Location: Faculty for Buildings Services Engineers-TUCEB

Session V

09:30 – 13:00 Technical Presentations

13:00 – 14:00 *Lunch*

Session VI

14:00 – 16:00 RABSE Valahia General Assembly (elections of Executive Committee)

During the conference the exhibition “Art Escape” can be visited free of charge by all participants.

Other details and updates on www.rcepb.ro, www.aiiro.ro, www.instalatii.utcb.ro



THE TITLE OF THE PAPER (TITLE EN*)

MIRCEA POPA - Lecturer, PhD, Technical University of Civil Engineering, Faculty of Building Services,
e-mail: (Author's name)

Abstract: In the summary, the representative aspects of the paper will be mentioned – minimum 8 rows. It will be written in regular (size 10), paragraph left-right, 1,2 cm (**ABSTRACT**)

Keywords: 4-5 representative words for paper, not included in the paper title (**Keywords**)

1. Introduction (Chapter)

The title “Introduction” will be numbered, written in small capitals (size 12) and bolded.

In the introduction of the article, the present state of the researchers in the specified domain will be mentioned (by quoting the corresponding bibliography) and the objectives of the paper will be declared.

The paper will be of 6 pages at least, the font used being TNR, size 11, the paragraphs being separated from one another with one line of size 6. (**Normal text**).

2. Paper content (the title of the first chapter) (Chapter)

The names of the chapters will be numbered if necessary, written in small capitals (size 12), bolded, centered left.

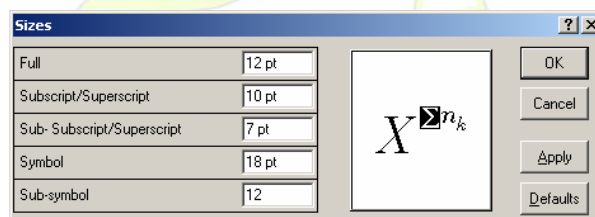
The presentation will be short and concise, and the symbols used will be defined in a symbol list (only if necessary). The International System of Measurement Units will be used. Descriptions of machineries and installations are not recommended.

2.1. Subchapter Subchapter (1.1)

2.1.1. Subsubchapter Subsubchapter (1.2.1)

3. Paper content (the title of the second chapter) (Chapter)

Equations. Equations are to be numbered with an indented line at right and written with the help of the equations-editor : Settings – size : 12, 10, 7, 18, 12, style: italic variables, LG Greek italic.





$$\underline{I}_A = \sqrt{2} \sum_{k=1}^n e^{jk\omega t} \cdot e^{j0} \cdot \underline{I}_A^{(k)}(k);$$

$$\underline{I}_B = \sqrt{2} \sum_{k=1}^n e^{jk\omega t} \cdot \left(e^{-j\frac{2\pi}{3}} \right)^k \underline{I}_B^{(k)}(k);$$

$$\underline{I}_C = \sqrt{2} \sum_{k=1}^n e^{jk\omega t} \cdot \left(e^{+j\frac{2\pi}{3}} \right)^k \underline{I}_C^{(k)}(k).$$

(Equations) (1)

Tables. Tables are to be written in size 10. The title of the table is to be centered, bolded and its numerotation written in italics (size 10), centered right.

Table 1 (NUMBER OF THE TABLE)

Melting points and basic analysis (TABLE TITLE)

Compounds	Mp(°C)	Chemical formula	N (%)	
			Calculated	Resulted
3A	178	C ₂₉ H ₃₄ N ₂ O	6,57	3A
3B	264	C ₂₉ H ₃₃ N ₃ O ₃	8,92	3B
3C	232	C ₂₉ H ₃₂ N ₄ O ₅	10,85	3C
5A	185	C ₂₉ H ₃₄ N ₂ O	6,56	5A
5B	242	C ₂₉ H ₃₃ N ₃ O ₃	8,92	5B
5C	245	C ₂₉ H ₃₂ N ₄ O ₅	10,85	5C

Figures. Figures are to be placed centered, if they are big and complex enough. If not, they can be put on two columns or wrapped in the text, towards the exterior of the page (right for an even page and left for an uneven page). The legend is to be centered under the figure, in size 10.

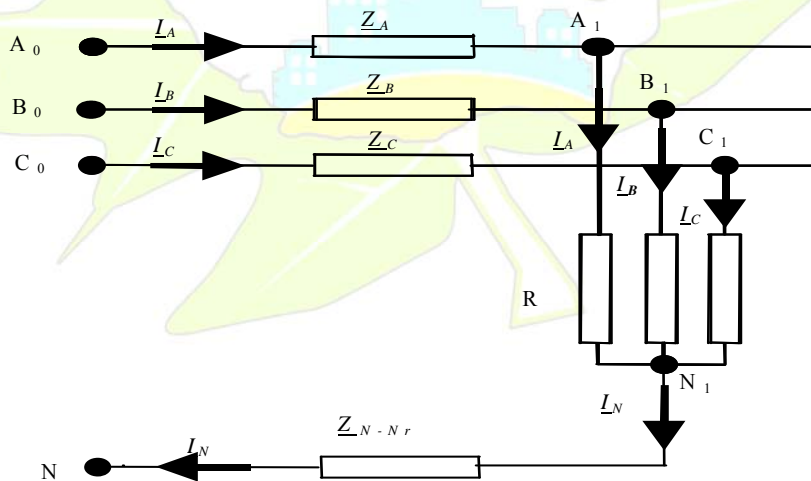


Fig. 1 - The legend is centered (size 10) (FIGURE)

N. Conclusions (Chapter)

The paper will end with a conclusion paragraph in which the results obtained by the author until present times will be mentioned, along with the possibilities of continuity and application of them in the article.



References (Chapter)

The references will be written in the order of the quotations that appear in the text and will also be numbered. The indications in the text will be made by square brackets, for example [1] or [1,3] or [1-3].

In the bibliography, there will be mentioned : the name of the author, the initials of the first name of the author (size 10), the editure, the place and year of apparition or the periodical in which it has appeared, the number (month), the volume, the year, the initial page and the last page of the article (size 10).

- [1] Soviany, C. - Embedding Data and Task Parallelism in Image Processing Applications, PhD Thesis, Technische Universiteit Delft, 2003 (Numbered)
- [2] Mauthe, A., Hutchison, D., Coulson, G., Namuye, S. - Multimedia Group Communications Towards New Services, in Distributed Systems Eng., Vol. 3, No. 3, Sept. 1996, pp. 197-210
- [3] Arnold, V. I. - Metodele matematice ale mecanicii clasice, Editura Științifică și Enciclopedică, București, 1980
- [4] Gioncu, V., Ivan, M. - Teoria comportării critice și postcritice a structurilor elastice, Editura Academiei, București, 1984
- [5] *** COSMOS/M - Finite Element System, User Guide, 1995

(* The red text represent the style name)

